



# NetWell Noise Control

## Soundproof Window Quote Request

Name \_\_\_\_\_

Date \_\_\_\_\_

Company \_\_\_\_\_

Phone \_\_\_\_\_

Address \_\_\_\_\_

Fax \_\_\_\_\_

\_\_\_\_\_

Email \_\_\_\_\_

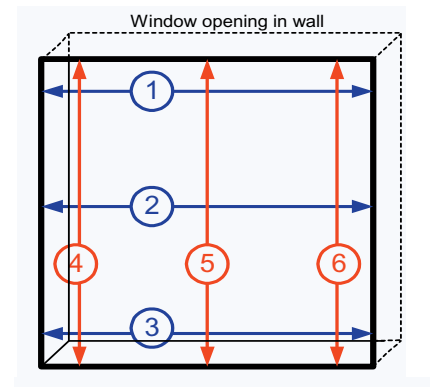
City \_\_\_\_\_

State/Zip \_\_\_\_\_

Window # \_\_\_\_\_ Window Location \_\_\_\_\_

Measurements: Width 1 \_\_\_\_\_ 2 \_\_\_\_\_ 3 \_\_\_\_\_

Length 4 \_\_\_\_\_ 5 \_\_\_\_\_ 6 \_\_\_\_\_



The color you want:  White  Colonial  Other

How does your window open?

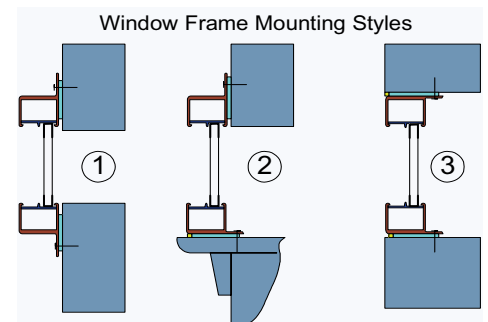
Up and Down  Slides Left/Right  Fixed - Doesn't Open  Cranks Open  Other

Is there a window sill?  Yes  No

Wall to window depth: \_\_\_\_\_ inches

Window Frame Mounting Style:

1. Surface  2. Surface with Sill  3. Flush



Print and Fax this completed form to 1-763-694-8909  
Our Window Application Help Desk will contact you.